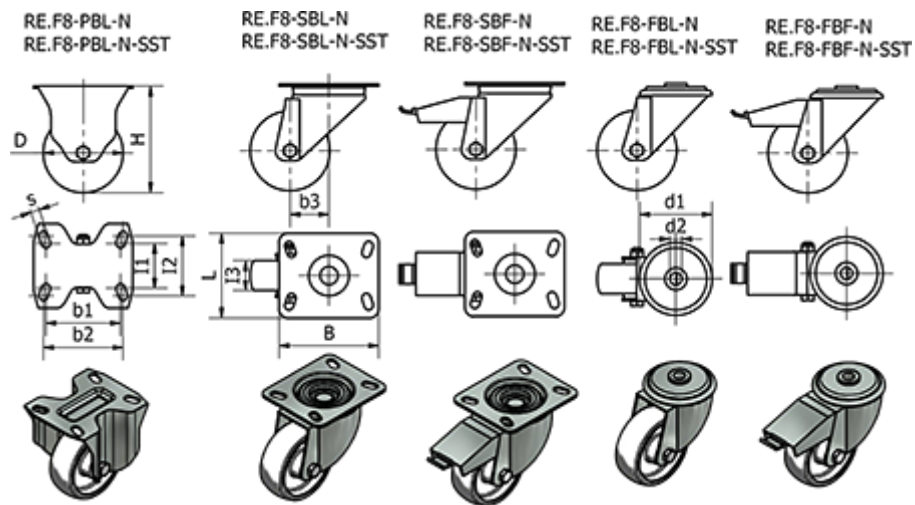


Article number: 2314450711

Description: E+G polyamide wheel

RE.F8-125-SBL-N-SST - Turning plate wo/brake in Stainless steel

Measures



= -	d2	=	Rolling resistance (N) = 2000
B = 100	Dynamic carrying capacity (N) = 2200		s = 9
b1 = 75	H = 156		Type = RE.F8-125-SBL-N-SS
b2 = 80	l1 = 45		Wight (g) = 780
b3 = 37	l2 = 60		
Code = 450711	l3 = 40		
D = 125	L = 85		
d1 =	R =		